



# AGMASTER

HARRINGTON® NO-TILL

 1800 NO TILL

Visit [www.agmaster.com.au](http://www.agmaster.com.au) and use one of our kit building tools for Seeding Kits or Presswheels to get part numbers and prices specific to your machine and seeding program



**ADJUSTA-POINT**  
Our longer wearing height-adjustable point. See pages 2-5

# 2020

**PRODUCTS AND PRICES**

*Effective 1st January 2020*

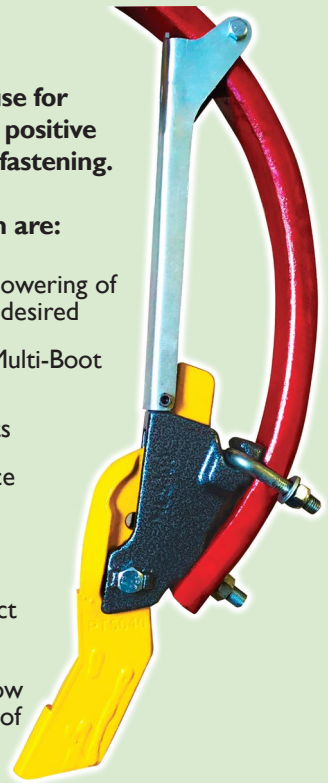
- **NO-TILL SEEDING KITS**
- **PRESSWHEELS**
- **HARROWS**

## ADJUSTA-POINT AND HOLDER

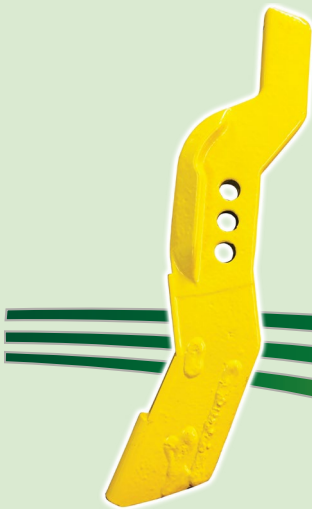
We have now had the **Adjusta-Point & Holder** system in use for the past two seasons during which time we have received positive feedback regarding point life and security of point holder fastening.

The key features of the **Adjusta-Point and Holder** system are:

- Height adjustable with three different heights to allow for lowering of point as it wears or for more below the seed cultivation if desired
- Compatible with current range of boot assemblies such as Multi-Boot and NT19 Rigid & Flexi-boots as pictured on page 3
- Can be adapted for use with our NT11 Rigid Seeding Boots
- New dowel shape tungsten to increase point life and reduce chipping
- Easy access 12mm pin & clip
- More secure optional trashguard design which doesn't affect access to point retaining pin
- Improved bolting arrangement for point holder which is now secured with a u-bolt to help prevent sideways movement of holder if tyne bolts become loose or worn
- Liquid point option available



See pages 12 & 14 for spare parts and accessories such as trashguards and liquid kits





### NT19 Multi-Boot Kits

Modular system for double bolt c-shank tynes. Pictured with liquid Adjusta-Point, 95mm paired row seeker wing and dual shoot dry fertiliser boot. For more detailed information about the Multi-Boot system see page 4

#### PRICE:

Kit as shown **\$350** +GST

*More kit options and prices can be found on page 4*



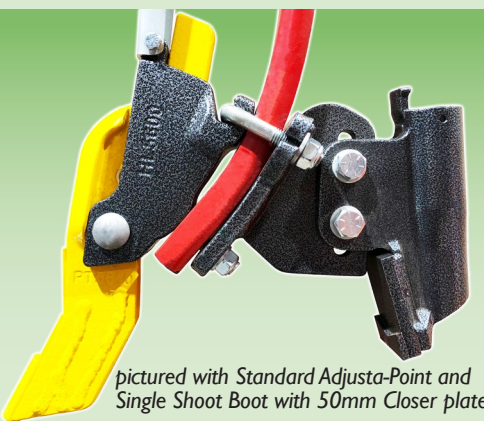
### NT19 Series Flexi-Boot Kits

For double bolt c-shank tynes up to 350kg (750lb) breakout. This kit is a progression of our NT11 Flexi-boot kit which now includes a 14mm Adjusta-Point and improved bracket at back of tyne. The seeding boot is a stiff but flexible hose which self-cleans in heavy soils and allows banding of fertiliser in knife point slot. Standard NT19 flexi-boot kit includes depth adjustable point and 40mm boot assembly, 50mm closer available for wider spread in light soils.

#### PRICE:

Standard Kit as shown **\$235** +GST

*pictured with Standard Adjusta-Point and Rubber Boot with 40mm Closer Plate*



### NT19 Series Rigid Boot Kits

For double bolt c-shank tynes upto 350kg (750lb) breakout and is suitable for both flat and edge-on tynes. This kit is a progression of our popular NT11 Rigid Boot system which now includes a 14mm Adjusta-Point and has an improved bracket and more accessible bolting arrangement at back of tyne. Standard single system kit includes depth adjustable point and 50mm boot assembly.

#### PRICE:

Standard Kit as shown **\$187** +GST

*See page 13 for other boot options and kit price difference.*

*pictured with Standard Adjusta-Point and Single Shoot Boot with 50mm Closer plate*

For all Seeding Kit part numbers and their prices, use our Seeding Kit Builder at [www.agmaster.com.au](http://www.agmaster.com.au)

*All prices exclude any freight costs that may apply*

## MULTI BOOT C-SHANK

The Multi-Boot seeding system is a modular system for double-bolt c-shank tynes which allows flexibility to choose between multiple closing tool options as well as point and holder style. The key features of this system are:

- Multiple closing tool options with flexibility to easily alternate between them depending on conditions and crop type. The options are:
  - 95mm Paired Row Seeker Wing
  - 75mm Paired Row Seeker Wing
  - 45mm Single Row Closer
- Compatible with both Adjusta-Point and NT II Point & Holder systems
- Optional dry fertiliser boot is available as well as provision for liquid down the point slot and/or wetter with the seed
- A secure bolting arrangement on the closing tool and dry fertiliser boot
- One bracket/boot mount fits all double-bolt, flat c-shank tynes

**Kit Base Price**  
**\$90 +GST Standard**  
**\$100 +GST Liquid**

**HL5600**  
**BA5110**

**FB5310**  
**Optional Dry Fertiliser Boot**  
**\$40 +GST**

**Point Options**

**PT5640**  
 Adjusta-Point  
 Standard 14mm  
**\$67 +GST**

**PT5650**  
 Adjusta-Point  
 Liquid 14mm  
**\$85 +GST**

**Closing Tool Options**

**SW5290**  
 95mm Paired Row Seeker Wing  
 (rows 75mm apart)  
**\$125 +GST**

**SW5270**  
 75mm Paired Row Seeker Wing  
 (rows 55mm apart)  
**\$120 +GST**

**CL5240**  
 45mm Single Row Closer  
**\$40 +GST**

*For a complete kit price, add price of your preferred point and closer option to either the standard or liquid base price. Alternatively, see page 5 for common configurations and their prices*

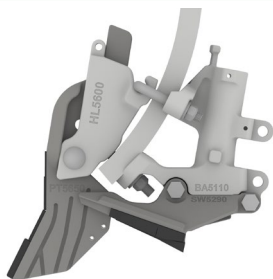
For all Seeding Kit part numbers and their prices, use our Seeding Kit Builder at [www.agmaster.com.au](http://www.agmaster.com.au)

All prices exclude any freight costs that may apply

# ADJUSTA POINT & MULTI BOOT ASSEMBLIES

The seeding assemblies below include the parts pictured as well as all bolts and fasteners required for assembly. **Please note that X's in part #'s need to be filled with a figure depending on machine type, tyne type & seeker width (if applicable).** For assistance please contact Agmaster, your local dealer or use the Seeding Kit Builder [www.agmaster.com.au](http://www.agmaster.com.au)

## Adjusta-Point & Multi-Boot for C-Shank Tyres



**PMB65xx2x**  
Liquid Adjusta-Point with Paired Row Seeker Wing

**95mm Seeker**  
**\$310** +GST

**75mm Seeker**  
**\$305** +GST



**PMB64xx2x**  
Standard Adjusta-Point with Paired Row Seeker Wing

**95mm Seeker**  
**\$282** +GST

**75mm Seeker**  
**\$277** +GST



**PMB65xx24**  
Liquid Adjusta-Point with Single Row 45mm Closer

**\$225** +GST



**PMB64xx24**  
Standard Adjusta-Point with Single Row 45mm Closer

**\$197** +GST



**BMBxx29**  
Boot only with 95mm Seeker Wing

**\$195** +GST



**BMBxx27**  
Boot only with 75mm Seeker Wing

**\$190** +GST



**BMBxx24**  
Boot only with 45mm Closer

**\$110** +GST



**FB5310**  
Dry Fertiliser Boot for dual shoot

**\$40** +GST  
To add to any paired row kit, add 31 to end of part # and increase kit price

For all Seeding Kit part numbers and their prices, use our Seeding Kit Builder at [www.agmaster.com.au](http://www.agmaster.com.au)

All prices exclude any freight costs that may apply

## MULTI-BOOT MODULE FOR MORRIS QUANTUM & C2

This system is a progression of our “Kwik Fit Module” seeding kit to which we have made a few key changes in order to improve the quality and functionality of the product. The key features of this system are:

- Multiple closing tool options with flexibility to easily alternate between them depending on conditions and crop type. The options are:
  - 95mm Paired Row Seeker Wing
  - 75mm Paired Row Seeker Wing
  - 45mm Single Row Closer
- A more secure bolting arrangement on the closing tool and dry fertiliser boot
- Height-adjustable point is now secured with a pin instead of a bolt and there is no load on the pin
- The design of the point has been changed to make changing points easier
- The boot adaptor has been strengthened in areas to reduce wear and tear
- New tungsten shape on the point

For a complete kit price, add price of your preferred closer option to either the standard or liquid base price. Alternatively, see page 7 for common configurations and their prices

**Kit Base Price**  
Point Included  
**\$197** +GST Standard  
**\$220** +GST Liquid

### Point Options

**PT6640**  
14mm Standard Point  
**\$67** +GST

**PT6650**  
14mm Liquid Point  
**\$85** +GST

### Closing Tool Options

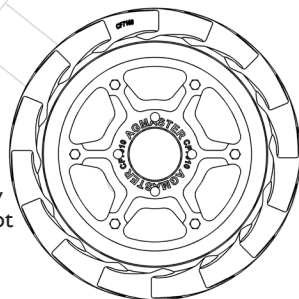
**SW6290**  
95mm Paired Row Seeker Wing  
(rows 75mm apart)  
**\$125** +GST

**SW6270**  
75mm Paired Row Seeker Wing  
(rows 55mm apart)  
**\$120** +GST

**CL6240**  
45mm Single Row Closer  
**\$40** +GST

**FB5310**  
Optional Dry Fertiliser Boot  
**\$40** +GST

Emu Tracker Wheel. Info on P10



For all Seeding Kit part numbers and their prices, use our Seeding Kit Builder at [www.agmaster.com.au](http://www.agmaster.com.au)

All prices exclude any freight costs that may apply

## Multi Boot for Morris Quantum & Contour 2 Seeding Assemblies



### PMM65182X31

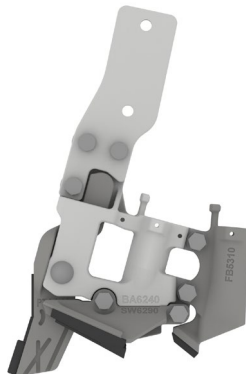
14mm Liquid Adjustable Point with Paired Row Seeker Wing, Dry Fertiliser Boot and Stainless Liquid Casing

#### 95mm Seeker

**\$385** +GST

#### 75mm Seeker

**\$380** +GST



### PMM64182X31

14mm Adjustable Point with Paired Row Seeker Wing and Dry Fertiliser Boot

#### 95mm Seeker

**\$362** +GST

#### 75mm Seeker

**\$357** +GST



### PMM65182X

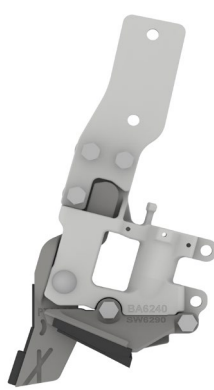
14mm Liquid Adjustable Point with Paired Row Seeker Wing and Stainless Liquid Casing

#### 95mm Seeker

**\$345** +GST

#### 75mm Seeker

**\$340** +GST



### PMM64182X

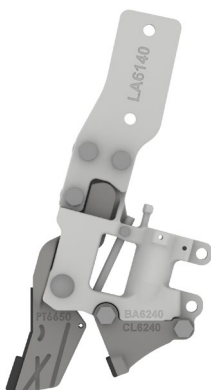
14mm Adjustable Point with 75mm Paired Row Seeker Wing

#### 95mm Seeker

**\$322** +GST

#### 75mm Seeker

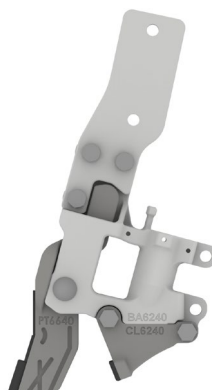
**\$317** +GST



### PMM651824

14mm Liquid Point with 45mm Single Row Closer and Stainless Liquid Casing

**\$260** +GST



### PMM641824

14mm Standard Point with 45mm Single Row Closer

**\$237** +GST

# MULTI-BOOT MODULE FOR BOURGAULT PARALINK

This system is a progression of our “Kwik Fit Module” seeding kit to which we have made a few key changes in order to improve the quality and functionality of the product. The key features of this system are:

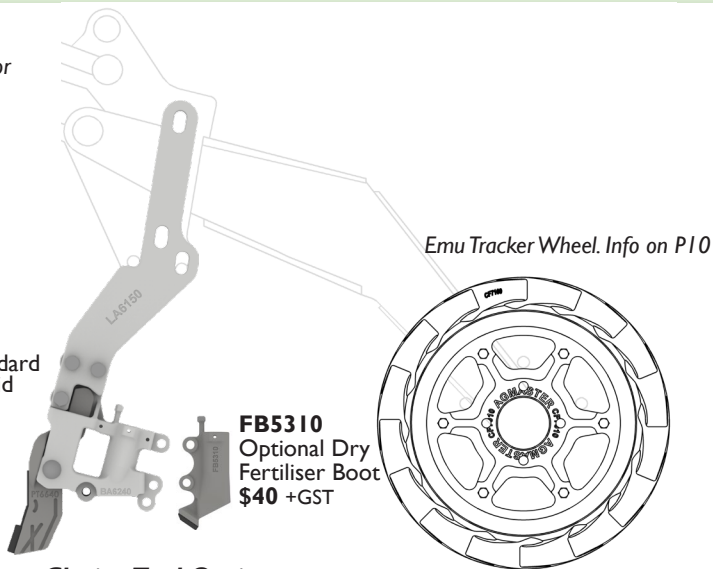
- Multiple closing tool options with flexibility to easily alternate between them depending on conditions and crop type. The options are:
  - 95mm Paired Row Seeker Wing
  - 75mm Paired Row Seeker Wing
  - 45mm Single Row Closer
- A more secure bolting arrangement on the closing tool and dry fertiliser boot
- Point is now secured with a pin instead of a bolt and there is no load on the pin
- The design of the point has been changed to make changing points easier
- The boot adaptor has been strengthened in areas to reduce wear and tear.
- New tungsten shape on the point

For a complete kit price, add price of your preferred closer option to either the standard or liquid base price. Alternatively, see page 9 for common configurations and their prices

### Kit Base Price Point Included

**\$222** +GST Standard

**\$245** +GST Liquid



### FB5310

Optional Dry  
Fertiliser Boot

**\$40** +GST

### Point Options

#### PT6640

14mm Standard  
Point

**\$67** +GST



#### PT6650

14mm Liquid  
Point

**\$85** +GST



### Closing Tool Options

#### SW6290

95mm Paired Row Seeker Wing  
(rows 75mm apart)

**\$125** +GST



#### SW6270

75mm Paired Row Seeker Wing  
(rows 55mm apart)

**\$120** +GST



#### CL6240

45mm Single Row Closer

**\$40** +GST



For all Seeding Kit part numbers and their prices, use our Seeding Kit Builder at [www.agmaster.com.au](http://www.agmaster.com.au)

All prices exclude any freight costs that may apply



## Multi Boot for Bourgault Paralink Seeding Assemblies



### PMM65192X31

14mm Liquid  
Adjustable Point with  
Paired Row Seeker  
Wing, Dry Fertiliser  
Boot and Stainless  
Liquid Casing

#### 95mm Seeker

**\$410** +GST

#### 75mm Seeker

**\$405** +GST



### PMM65192X

14mm Liquid  
Adjustable Point with  
Paired Row Seeker  
Wing and  
Stainless Liquid Casing

#### 95mm Seeker

**\$370** +GST

#### 75mm Seeker

**\$365** +GST



### PMM651924

14mm Liquid Point  
with 45mm Single Row  
Closer and Stainless  
Liquid Casing

**\$285** +GST



### PMM64192X31

14mm Adjustable  
Point with Paired Row  
Seeker Wing and Dry  
Fertiliser Boot

#### 95mm Seeker

**\$387** +GST

#### 75mm Seeker

**\$382** +GST



### PMM64192X

14mm Adjustable Point  
with Paired Row  
Seeker Wing

#### 95mm Seeker

**\$347** +GST

#### 75mm Seeker

**\$342** +GST



### PMM641924

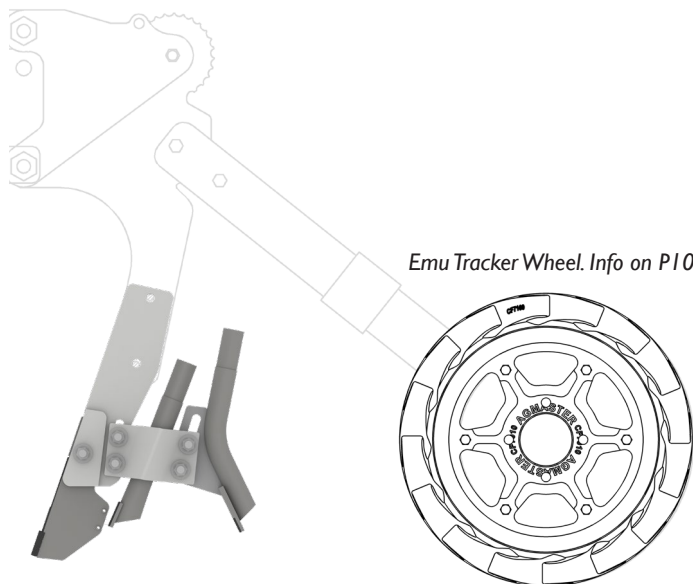
14mm Standard Point  
with 45mm Single Row  
Closer

**\$262** +GST

## DUAL IN-LINE FOR MORRIS QUANTUM & C2

**Our Dual In-Line** system for the Morris Quantum & Contour 2 was developed in response to demand for dual-shoot single row in-line systems for these machines. We have been running these in the field for the last two seasons with positive results. Seeding Kits include 12mm height-adjustable point(liquid option available), seed & fertiliser boots and all bolts and fasteners.

### Dual In-Line Seeding Kits



#### Complete Kit Prices

Kits include point, leg, seed boot, fertiliser boot & all bolts and fasteners required

#### PMI063444

Standard Point Kit

**\$307** +GST

#### PMI073444 *(pictured)*

Liquid Point Kit

**\$318** +GST

#### Replacement Points

#### PT5060

12mm Standard Adjustable Point

**\$64** +GST



#### PT5070

12mm Liquid Adjustable Point

**\$75** +GST



# EMU TRACKER WHEELS

**Our Emu Tracker wheels** have a unique design which addresses the issue of presswheel furrow smearing on parallelogram seeding modules such as the following (other makes may also be adaptable):

- Morris Quantum
- Morris Contour 2
- Bourgault Paralink
- Horsch Sprinter
- Flexicoil PD5700

The Emu Tracker replaces the existing wheel on the module. The flexible feet flick some of the loose soil back into the seeding row while giving some pressing effect. They are most effective in moist soil conditions.

**\$210** +GST



## Emu Tracker Finish Comparison



Original Module Wheel Finish



Emu Tracker Wheel Finish



Pictured is a Morris Contour 2 with Agmaster Seeding Kits (P6 - P7) & Emu Tracker Wheels. Photo courtesy of Wiesners Machinery Dealership in Walla Walla, NSW

# REPLACEMENT POINTS

## Adjusta-Point & Holder



**PT5640**  
Adjusta-Point  
Standard 14mm  
**\$67 +GST**



**PT5650**  
Adjusta-Point  
Liquid 14mm  
**\$85 +GST**



**HL5600**  
Adjusta-Point  
Holder  
**\$20 +GST**

## NTI I Series Slip-On Point Options



**PT1120**  
12mm Standard  
**\$55 +GST**



**PT1150**  
12mm Liquid  
**\$72 +GST**



**PT1140**  
14mm Lo-Thro  
**\$62 +GST**



**PT1170**  
14mm Lo-Thro Liquid  
**\$79 +GST**



**PT1160**  
16mm Standard  
**\$62 +GST**



**PT1190**  
16mm Liquid  
**\$79 +GST**



**PT1130**  
16mm Winged  
**\$88 +GST**

For less common replacement points, boots and other parts, please visit our website [www.agmaster.com.au](http://www.agmaster.com.au)

All prices exclude any freight costs that may apply

## OTHER NO-TILL SEEDING KITS AND PARTS



### NT08 Series Bolt-On Kits

For single bolt cultivator and scarifier tynes in the 90 - 150kg breakout range. Standard single system included a 12mm point and depth adjustable 40mm boot assembly. See below for other boot options and kit price difference.

**NT08 Seeding Kits suit the following tynes:**  
Shearer 580 & 620, Forward/Chamberlain 270, 700 & 800 series, Napier/Alfarm, Connor Shea Scari, John Deere/International Scari & Shearer Scari

#### PRICES:

Standard S/S Kit as shown **\$151** +GST

Replacement Points **\$56** +GST

### NT08/NT11/NT19 Series Boots Options (excludes Flexiboos & Seeker Boots)



#### BT2540/BT2550

Single Shoot Boot with  
40mm or 50mm Closer  
Plate

**\$55** +GST

#### Standard NT19 Kit

with choice of BT2540  
or BT2550 boots

**\$187** +GST

*Picture and details P3*

#### Standard NT08 Kit

with choice of BT2540  
or BT2550 boots

**\$151** +GST

*Picture and details above*

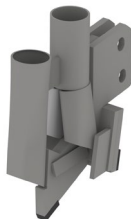


#### BT2370

Single Shoot Split Boot with  
65mm Closer Plate

**\$90** +GST

For this boot option in a kit add  
**\$35** +GST to standard single  
system kit price above



#### BT2390

Double Shoot Split Boot with  
65mm Closer Plate

**\$130** +GST

For this boot option in a kit add  
**\$75** +GST to standard single  
system kit price above

### NT08/NT11/NT19 Series Closer Plates (excludes Flexiboos & Seeker Boots)



#### CL2494

40mm Weld-On  
Closer Plate

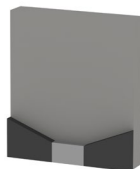
**\$18** +GST



#### CL2495

50mm Weld-On  
Closer Plate

**\$18** +GST



#### CL2496

65mm Weld-On  
Closer Plate

**\$20** +GST

## Accessories

### TRASHGUARDS

These saddle the point holder and secure to the tyne to provide better trashflow in heavy residue. There are two styles for NT11 and Adjusta-Point and suit both flat and edge-on tynes. *Below prices include required fasteners*



Adjusta-Point  
Trashguard  
**\$20 +GST**



NT11  
Trashguard  
**\$25 +GST**

### SWEEP ADAPTORS

These secure into the holder in place of the point for quick change from No-Till cultivation to conventional cultivation. Replicates bottom of tyne to accommodate bolt-on wedge or bolt-on wide point. 3 different hole configurations are available. Available for NT11 holders only.



**\$25 +GST**

## Liquid Kits

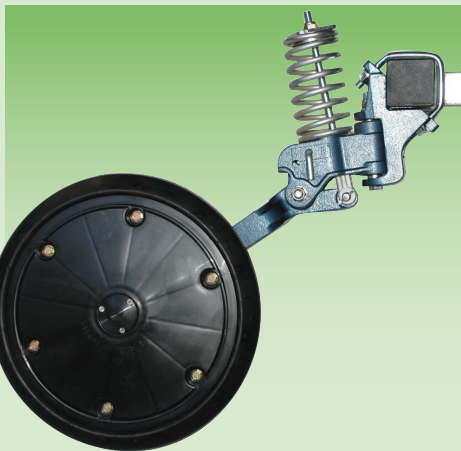


These kits piggy back Agmaster NT19 & NT11 rigid boot kits. They will direct liquid fertiliser from an existing liquid distribution system to the base of the tynes and into the back of a liquid fertiliser point (see pages 4 & 13). The liquid kit includes a shaped stainless tube that acts as a casing for 3 - 6mm OD flexible fertiliser delivery hose.

Kit does not include liquid point or flexible tube. A longer bolt may also be required to bolt clamp plate to tyne. Kits are available for 2 pipe sizes.

**Single Liquid Kit: \$24 +GST**  
**Double Liquid Kit: \$38 +GST**

## PRESSWHEELS



70mm "V" Presswheel Module.  
See page 16 for all tyre profile options

**Agmaster Presswheels** offer flexibility to suit all seeding conditions. The presswheels mount to a false bar behind the last rank of seeding tynes.

Presswheel module as shown:

**\$370** +GST

with 50mm Flat, 70mm V or 95mm V tyre profiles

**\$390**+GST

with 20mm Wedge or 100mm W tyre profiles

Optional inner spring for extra pressure

**\$15** +GST

Optional offset wheel spacer for clay shedding

**\$15** +GST

- Individually mounted for independent pressure
- Self tracking
- Semi pneumatic tyres for soil shedding
- Down pressure adjustable
- Can be lifted and locked when not required
- Light weight but robust - module weight 10kg



**WITH  
GREASABLE  
HUBS!**

For all Presswheel Kit part numbers and their prices, use our new Kit Builder at [www.agmaster.com.au](http://www.agmaster.com.au)

All prices exclude any freight costs that may apply

## PRESSWHEELS

### Tyre Profile Options



**50mm Flat Tyre**  
Crumbles sides of narrow slot  
**\$370 +GST**



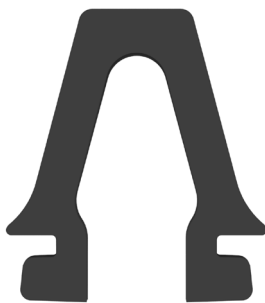
**70mm 'V' Tyre**  
General purpose in mixed soil types  
**\$370 +GST**



**95mm 'V' Tyre**  
Wide press on light sand soils  
**\$370 +GST**



**100mm 'W' Tyre**  
For use with paired row seeker boots  
**\$390 +GST**



**20mm Wedge Tyre**  
Deeper sowing in black soils  
**\$390 +GST**

**Suitable tyre profile** will depend on seeding boot style, soil conditions and desired finish. Seek local experience or contact an Agmaster Sales Consultant for more information. All prices shown are for complete module (*pictured on page 15*) with selected tyre profile option.

For all Presswheel Kit part numbers and their prices, use our new Kit Builder at [www.agmaster.com.au](http://www.agmaster.com.au)  
All prices exclude any freight costs that may apply



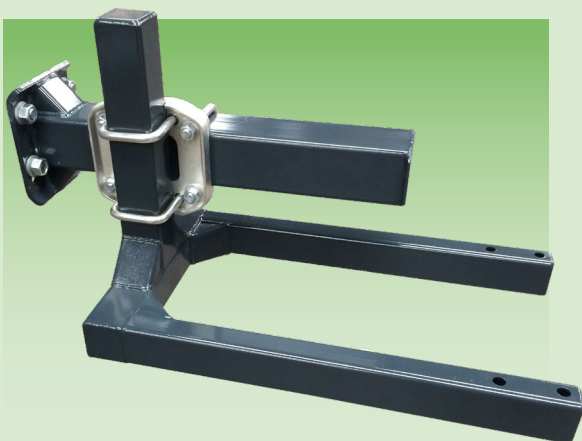
## PRESSWHEEL MOUNTING OPTIONS



### FIXED EXTENSION ARM

Used when presswheels are permanent with provision for an adaptor plate to be welded to end of main arm to add harrows in combination. If no harrows are used, 2 arms are required per section. A 3rd arm is recommended for any section with more than 18 presswheels. Typical single fold machine will require 6 or 7 arms. Mount bar secures to end of these arms. Weight 31kg

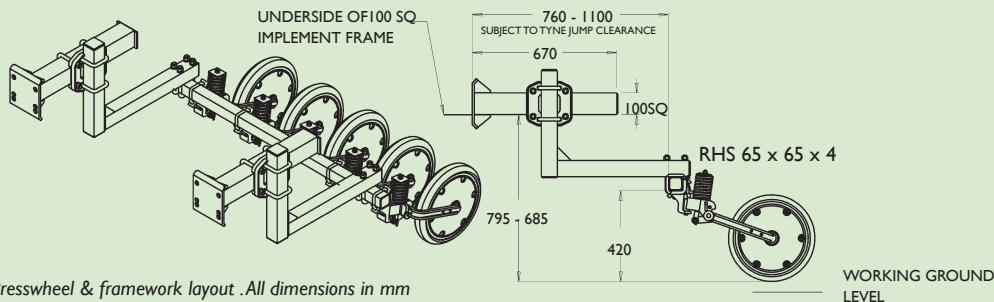
**\$450** +GST



### FIXED EXTENSION ARM WITH DOUBLE DROPPER

Used in conjunction with above arms of short sections of folding machines i.e. 7ft or less with up to 10 presswheels. Typically used on short outer wings of double fold machines. Mount bar secures to end of arm. Weight 38kg

**\$600** +GST



Presswheel & framework layout . All dimensions in mm

For all Presswheel Kit part numbers and their prices, use our new Kit Builder at [www.agmaster.com.au](http://www.agmaster.com.au)

All prices exclude any freight costs that may apply

## NO-TILL HARROWS



**Agmaster No-Till Harrows** have been developed to compliment no-till seeding systems. Their non-aggressive rotary action is designed to brush loose soil from the interrow back into the seed row. They have excellent trash flow capabilities and can be used independently or in combination with presswheels.

- Easy to set up and use
- Working angle and pressure adjustable
- Lifts and folds with machine
- Excellent stubble handling

**STAR HARROWS** are suitable for covering behind narrow points to provide an even cover. Long life tips are replaceable. 4ft and 5ft gangs will provide the best finish. 6ft gangs are available if other sizes not suitable.

### PRICES:

4ft gang with telecarrier arm **\$1750+GST**  
 5ft gang with telecarrier arm **\$1950+GST**  
 6ft gang with telecarrier arm **\$2150+GST**  
 Replacement Single Star Tips **\$4.50+GST EACH**  
 Replacement Star Tips x100 **\$400+GST**



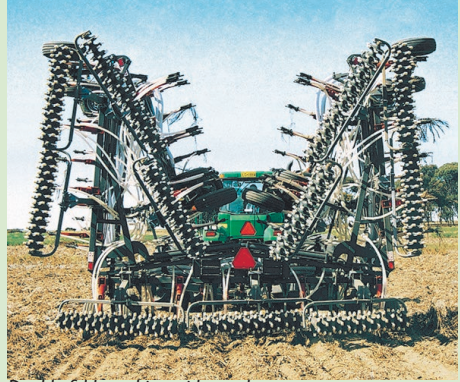
**COIL HARROWS** are suitable for covering behind greater variety of points. Slightly more aggressive, they are more effective in sticky soil conditions.

### PRICES:

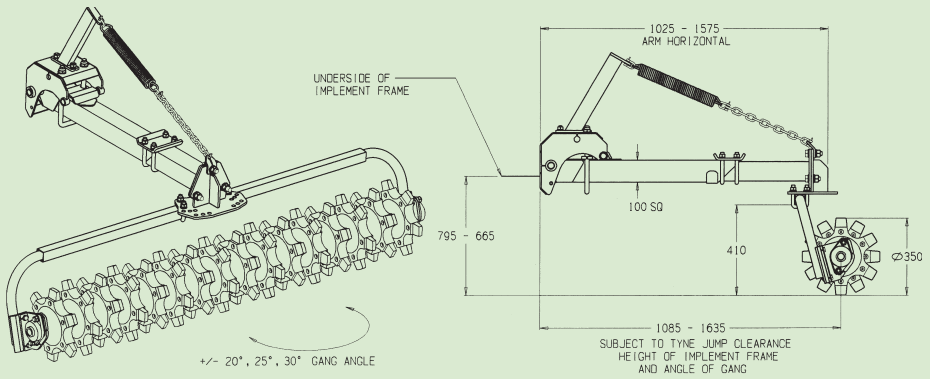
4ft gang with telecarrier arm **\$1750+GST**  
 5ft gang with telecarrier arm **\$1950+GST**



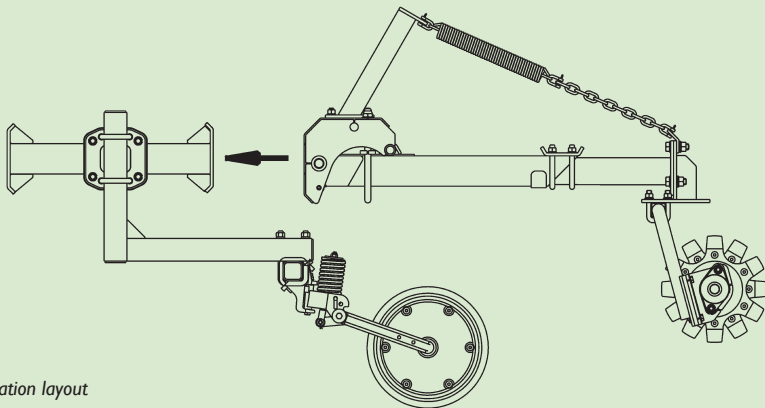
Presswheels and harrows combination



Double fold machine with star harrows



Harrow & telescopic arm layout. All dimensions in mm



Combination layout

All prices exclude any freight costs that may apply



Twin Row Seeker Boot establishment



**Head Office:**  
10 Fargo Way  
WELSHPOOL  
Western Australia 6106

**Phone:** 08 9358 1555  
**Fax:** 08 9358 1888

**Email:** [sales@agmaster.com.au](mailto:sales@agmaster.com.au)

**[www.agmaster.com.au](http://www.agmaster.com.au)**

**South Australia**  
Renee Attwood  
08 9358 1555  
[renee@agmaster.com.au](mailto:renee@agmaster.com.au)

**Victoria & Tasmania**  
Dan Bolwell  
0417 565 091  
[dan@agmaster.com.au](mailto:dan@agmaster.com.au)

**New South Wales & Queensland**  
Rowan Cox  
0488 995 566  
[rowan@agmaster.com.au](mailto:rowan@agmaster.com.au)

**Your local dealer is:**

**Disclaimer:** Agmaster strongly recommends that you consult your agronomist to determine the suitability of Agmaster products in your seeding program. Agmaster gives absolutely no guarantee as to the suitability or performance of its products. Furthermore, Agmaster will not accept liability for any loss or damage caused by, or as a consequence of, the use of its products. Agmaster's products and prices are subject to change without notice. E & OE.